

# Staying Cool, While Thinking Green

## 27" Front Breathing Refrigerator & Freezer

MODEL SKF27A/C2 MODEL SKR27A/C2

*High Efficiency Design*



Freezer SKF27A/C2



Refrigerator SKR27A/C2



MODEL	LENGTH	DEPTH	HEIGHT	CAPACITY	SHELVES	SHELF AREA	COMPRESSOR	AMPS	WEIGHT
SKR27A/C2	27"	29 3/4"	32 3/8"	6 1/2 cu. ft.	2	8 1/2 sq. ft.	1/5 hp	2.2	165 lbs.
SKF27A/C2	27"	29 3/4"	32 3/8"	6 1/2 cu. ft.	2	8 1/2 sq. ft.	1/5 hp	2.2	165 lbs.

- EXTERIOR**      Stainless steel. Galvanized back and bottom.
- INTERIOR**      Stainless steel floor. Sidewalls aluminum. Coved corners and finished edges for easy cleaning.
- INSULATION**      Environmentally friendly foamed-in-place polyurethane insulation for maximum strength and durability.
- DOORS**      Heavy-duty stainless steel door with polyurethane insulation. Extra heavy-duty magnetic "Thermo Rubber" door gaskets combine to make the toughest, longest lasting door in the industry. Doors are field reversible.
- SHELVES**      Heavy gauge wire shelves are hand dipped, not sprayed, providing double-thick epoxy coating for superior durability and smooth finish. Adjustable in 1/2" increments on stainless steel pilasters.
- REFRIGERATION**      CFC-Free, R134a refrigerant, hermetically sealed, high efficiency, self contained refrigeration system features automatic defrost and forced air circulation. Adjustable temperature control and built-in temperature indicator standard. Automatic condensate evaporator eliminates the need for plumbing or floor drains.



1600 Xenium Lane North  
 Minneapolis, MN 55441-3787  
 Phone (763) 923-2441  
 Fax (763) 553-1209  
[www.silverking.com](http://www.silverking.com)

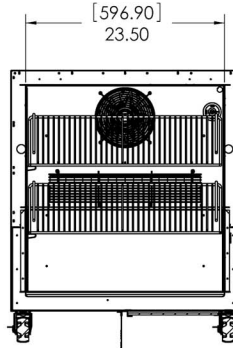
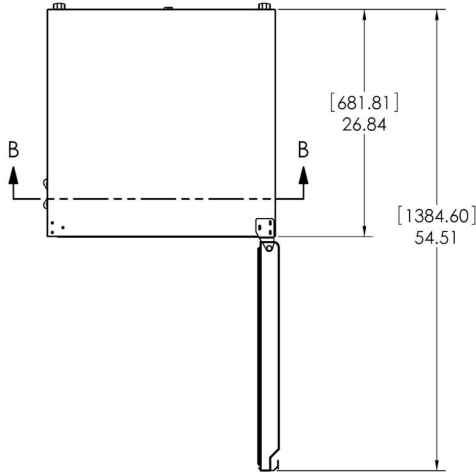


12/2010  
 © Silver King 2010  
 Printed in U.S.A.

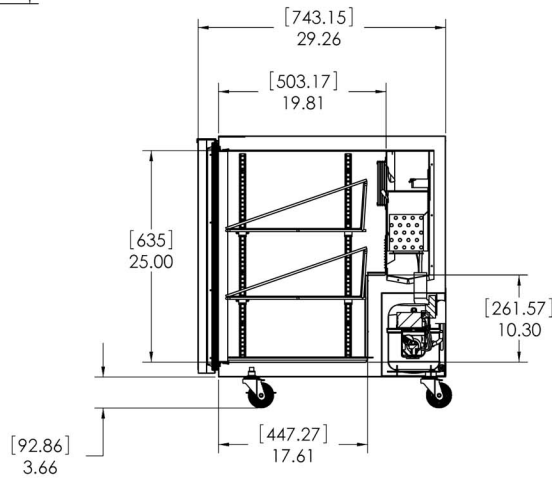
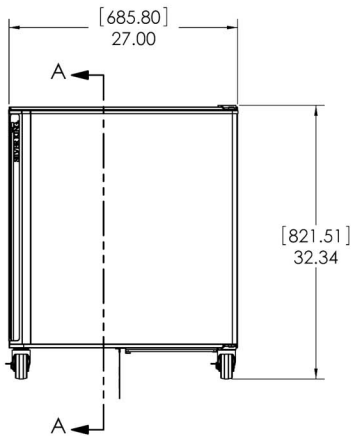
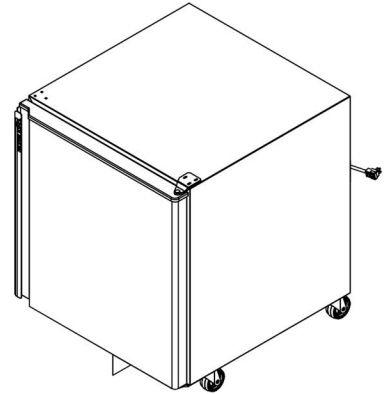
...Thinking Green

# 27" Front Breathing Refrigerator & Freezer

MODEL SKF27A/C2 MODEL SKR27A/C2



SECTION B-B



SECTION A-A

- ELECTRICAL** Standard 115 volt, 60Hz, single phase operation. 8 foot, 3-wire power cord with NEMA 5-15 plug. Consult factory for 230 volt, 50Hz, single phase.
- LISTINGS** ETL, Safety, NSF
- WARRANTY** One year materials and workmanship warranty on cabinet and refrigeration system. Five year warranty on compressor.
- ACCESSORIES** Stacking Kit, Stainless Steel Worktop, Stainless Steel Backsplash, Cart Kit



1600 Xenium Lane North  
 Minneapolis, MN 55441-3787  
 Phone (763) 923-2441  
 Fax (763) 553-1209  
 www.silverking.com



12/2010  
 © Silver King 2010  
 Printed in U.S.A.

# 27" Front Breathing Refrigerator & Freezer

MODEL SKF27A/C2 MODEL SKR27A/C2

See the Energy Savings with the  
**NEW** Silver King Refrigerator & Freezer

## 27" Refrigerator

Model	Volume Cu. Ft.	Daily Energy Consumption Ion (kWh)	kWh/Cu. Ft./Day	Annual Operating Cost @ \$.10/kWh	Annual Operating Cost @ \$.13/kWh
Previous Model	6.39	2.55	0.40	\$93.00	\$121.00
New Model (SKR27A)	6.5	1.49	0.23	\$54.00	\$71.00

**Annual Energy Savings \$39.00 \$50.00**

## 27" Freezer

Model	Volume Cu. Ft.	Daily Energy Consumption Ion (kWh)	kWh/Cu. Ft./Day	Annual Operating Cost @ \$.10/kWh	Annual Operating Cost @ \$.13/kWh
Previous Model	6.39	7.01	1.10	\$256.00	\$333.00
New Model (SKF27A)	6.5	3.49	0.54	\$127.00	\$166.00

**Annual Energy Savings \$129.00 \$167.00**