



Product Application

Ozark River Portable Sinks with NSF Certification are designed to assist individuals and businesses comply with hand washing codes and regulations by placing hand washing at the point of contact.

The Silver Premier Series is a versatile and durable model with the all stainless steel top. It is ideal for food service type applications, but also appropriate for these compliance applications types:

- Food and Beverage Serving or Demonstration
- Waitress Stations
- Hospitality
- Catering Events
- Cafeterias
- Mobile Trailers
- Classrooms and Schools
- Medical Exam Rooms
- Lab and Testing Facilities
- Trade Shows, etc.

Standard Features

- Self-Contained Portable Sink
- On-Demand Hot Water System
- Multiple All Stainless Top and Basin Options
- Phthalate FREE Melamine Laminate Cabinet
- Cabinet Colors: Maple or Cherry
- 5 Gal. Fresh and 6 Gal. Gray (Water Tanks)
- Liquid Soap Dispenser
- Swivel Casters, Front Locking
- Locking Cabinet
- Long Faucet Handles (ADA Compliant)
- GFCI Outlet Protection
- Exclusive Quick-Connect Tank System



ADSTM-SS-SS1N
ADSTC-SS-SS1N



ANSI Accredited Program
Product Category: Sink
NSF's Certification Program
is accredited by the
American National
Standards Institute



Quick Connect Tank System



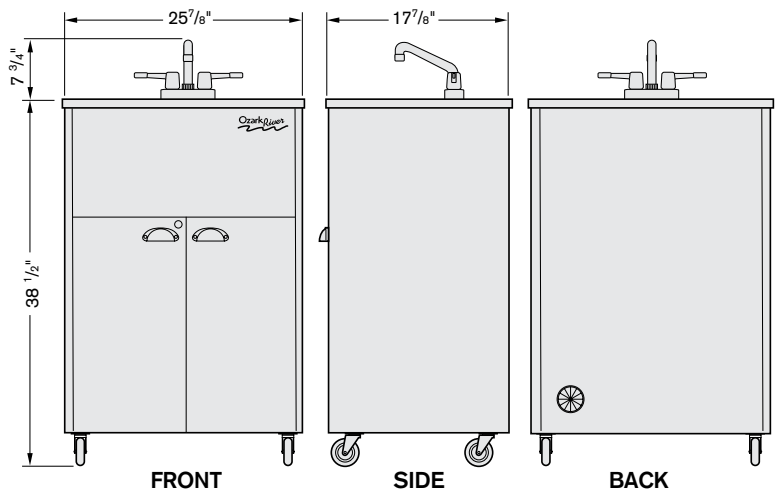
Soap Dispenser



Easy Fill Water Tanks
1- 5 Gallon Fresh
1- 6 Gallon Waste

Standard Operating Requirements

- Each sink must have grounded, dedicated 110V, 20A circuit breaker
- Dry, inside level surface
- If extension cord is used, cord must be 12/3, rated at 20A or higher
- Water must meet EPA Standards with PH between 7.0 and 9.0.



Cabinet Colors Available:



Maple (M) Cherry (C)

AUTOQUOTES

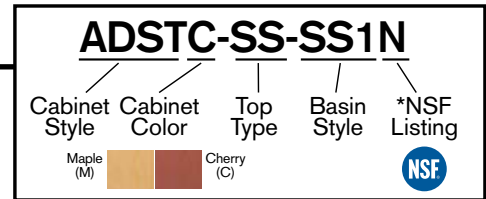


Quick Guide

Silver Premier Series

Standard Height Hot Water Portable Hand Washing Stations

How Our Model Numbers Work



* If "N" is not included in the Model Number, the product is not NSF Certified.

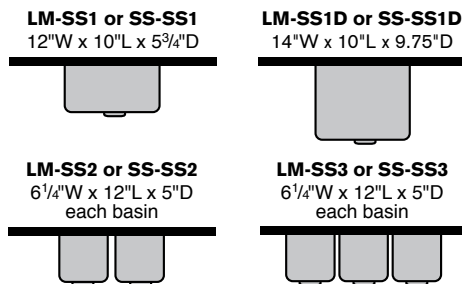
Model Number	ADSTM-SS-SS1N / ADSTC-SS-SS1N
Model Name	Silver Premier 1
Number of Basins	Single
Basin Material	Stainless Steel
Basin Dimensions	12" W x 10" L x 5.75" D
Top Material	Stainless Steel
Cabinet Dimensions	25.625" W x 17.625" D x 38.50 H
Cabinet Material	Phthalate and Lead Free Melamine
Cabinet Colors:	Maple and Cherry
Product Weight	88 lbs.
NSF Certified	Yes
GPM	0.50
Fresh Water Tank	5 Gallon
Waste Water Tank	6 Gallon
Approx Hand Washings	40 qty. 15 second hand washings
Electrical Requirements	110V, 20 AMP Dedicated Outlet and Breaker
Warranty	2 Years

Model Number	ADSTM-SS-SS1DN / ADSTC-SS-SS1DN
Model Name	Silver Premier 1D
Number of Basins	Single Deep
Basin Material	Stainless Steel
Basin Dimensions	14" Dia. x 10" L x 9.75" D
Top Material	Stainless Steel
Cabinet Dimensions	25.625" W x 17.625" D x 38.50 H
Cabinet Material	Phthalate and Lead Free Melamine
Cabinet Colors:	Maple and Cherry
Product Weight	88 lbs.
NSF Certified	Yes
GPM	0.50
Fresh Water Tank	5 Gallon
Waste Water Tank	6 Gallon
Approx Hand Washings	40 qty. 15 second hand washings
Electrical Requirements	110V, 20 AMP Dedicated Outlet and Breaker
Warranty	2 Years

Model Number	ADSTM-SS-SS2N / ADSTC-SS-SS2N
Model Name	Silver Premier 2
Number of Basins	Double
Basin Material	Stainless Steel
Basin Dimensions	6.125" W x 12.15" L x 5" D (each basin)
Top Material	Stainless Steel
Cabinet Dimensions	25.625" W x 17.625" D x 38.50 H
Cabinet Material	Phthalate and Lead Free Melamine
Cabinet Colors:	Maple and Cherry
Product Weight	88 lbs.
NSF Certified	Yes
GPM	0.50
Fresh Water Tank	5 Gallon
Waste Water Tank	6 Gallon
Approx Hand Washings	40 qty. 15 second hand washings
Electrical Requirements	110V, 20 AMP Dedicated Outlet and Breaker
Warranty	2 Years

Model Number	ADSTM-SS-SS3N / ADST-SS-SS3N
Model Name	Silver Premier 3
Number of Basins	Triple
Basin Material	Stainless Steel
Basin Dimensions	6.125" W x 12.15" L x 5" D (each basin)
Top Material	Stainless Steel
Cabinet Dimensions	25.625" W x 17.625" D x 38.50 H
Cabinet Material	Phthalate and Lead Free Melamine
Cabinet Colors:	Maple and Cherry
Product Weight	88 lbs.
NSF Certified	Yes
GPM	0.50
Fresh Water Tank	5 Gallon
Waste Water Tank	6 Gallon
Approx Hand Washings	40 qty. 15 second hand washings
Electrical Requirements	110V, 20 AMP Dedicated Outlet and Breaker
Warranty	2 Years

Basin Dimensions



Design, colors, prices, options and features are subject to change without notice.



©2011 Integrity Distribution LLC
SSPRE-4C-2P Date: 07/01/11



Integrity Distribution LLC
P.O. Box 280
Salem, Missouri 65560
Tel: 573.729.2057
Fax: 573.729.3846
OzarkRiver.com