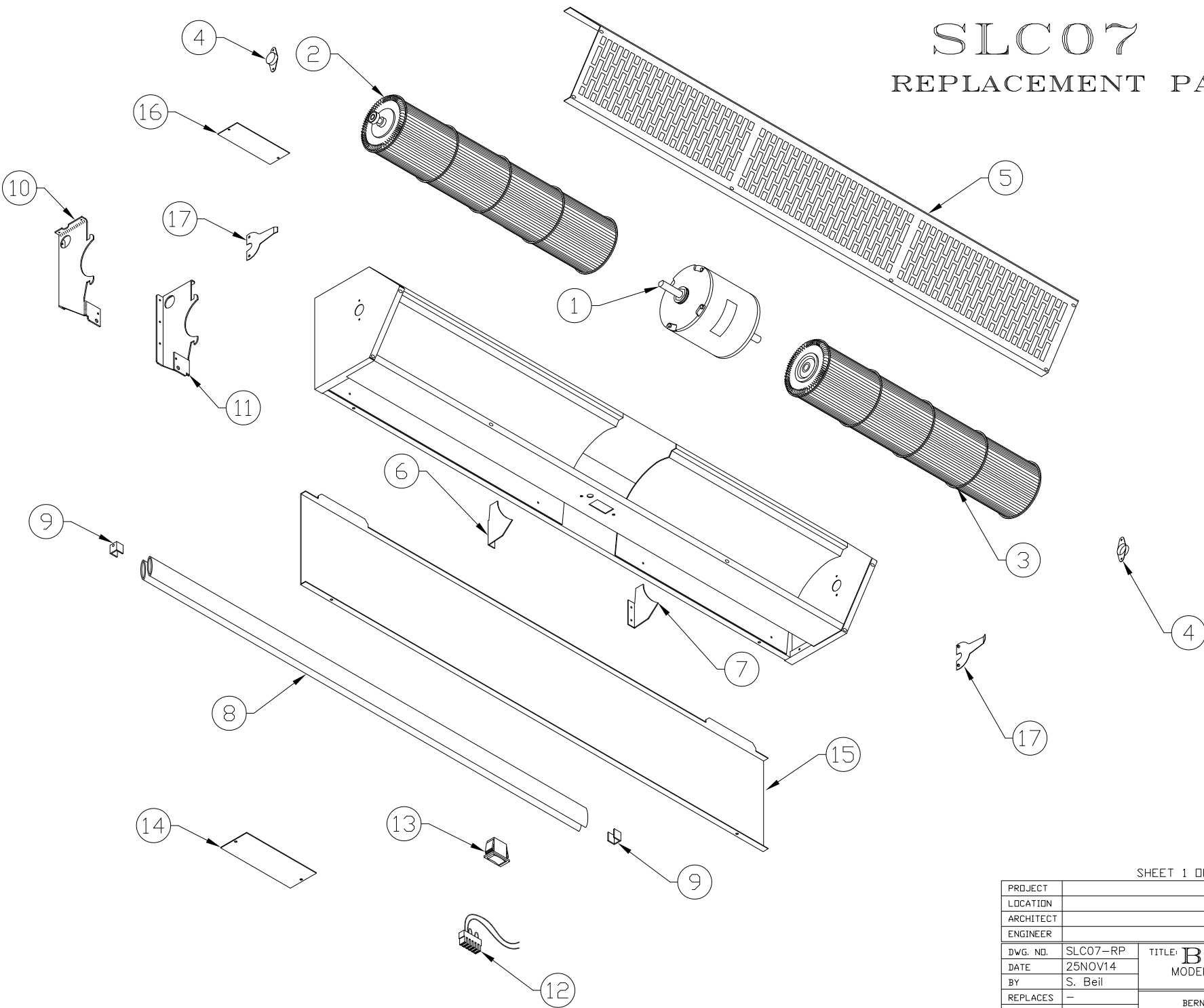


SLC07 REPLACEMENT PARTS



SHEET 1 OF 2

| | | |
|-----------|----------|---|
| PROJECT | | |
| LOCATION | | |
| ARCHITECT | | |
| ENGINEER | | REV. - |
| DWG. NO. | SLC07-RP | TITLE: BERNER |
| DATE | 25NOV14 | MODEL: SLC07 AIR CURTAIN |
| BY | S. Beil | REPLACEMENT PARTS |
| REPLACES | - | BERNER INTERNATIONAL CORP. NEW CASTLE, PA. |
| BY | - | |

SLC07

REPLACEMENT PARTS

| ITEM | DESCRIPTION | PART # |
|------|---|---------------------|
| 1 | MOTOR, 1/5 HP, (120-208/240V, 1PH) | 011F5042F1X18C-TE |
| 2 | BLOWER WHEEL - LEFT HAND (specify length - inches) | 29T450S012A-L** |
| 3 | BLOWER WHEEL - RIGHT HAND (specify length - inches) | 29T450S012A-R** |
| 4 | BEARING CUP - (ships with blower wheel) | N/A |
| 5 | INLET SCREEN - STANDARD (specify length - inches) | 40EZN***IS |
| 5 | INLET SCREEN - STAINLESS STEEL (specify length - inches) | 40EZN***IS-SS |
| 6 | LEFT DIVERTER | 40ZPR000D-L |
| 7 | RIGHT DIVERTER | 40ZPR000D-R |
| 8 | NOZZLE VANE (specify vane length - inches) | 06ALM516ARF-121 |
| 9 | NOZZLE VANE CLIP | 40GEN-NVC |
| 10 | MOTOR BASE LEFT BRACKET - STANDARD | 40EZ012MMC-1F5-L |
| 10 | MOTOR BASE LEFT BRACKET - STAINLESS STEEL | 40EZ012MMC-1F5-L-SS |
| 11 | MOTOR BASE RIGHT BRACKET - STANDARD | 40EZ012MMC-1F5-R |
| 11 | MOTOR BASE RIGHT BRACKET - STAINLESS STEEL | 40EZ012MMC-1F5-R-SS |
| 12 | MOTOR WIRING HARNESS, 1/5 HP, 120V | 505WH115LWA |
| 12 | MOTOR WIRING HARNESS, 1/5 HP, 208/240V | 505WH230LWA |
| 13 | ROCKER SWITCH, SNGL-20A, BEZEL MNT, DPST, (FAN ON/OFF) | 33A020B-DS |
| 14 | BERNER NAME PLATE | 55BERN-2X5 |
| 15 | WALL MOUNTING PLATE - STANDARD (specify length - inches) | 40EZN***WMP |
| 15 | WALL MOUNTING PLATE - STAINLESS STEEL (specify length - inches) | 40EZN***WMP-SS |
| 16 | WIRING COMPARTMENT COVER - STANDARD | 40EZN000WC-C |
| 16 | WIRING COMPARTMENT COVER - STAINLESS STEEL | 40EZN000WC-C-SS |
| 17 | BEARING RETAINER - STANDARD | 40EZN000BR-U |
| 17 | BEARING RETAINER - STAINLESS STEEL | 40EZN000BR-U-SS |

*** SPECIFY LENGTH (IN INCHES)

** SPECIFY LENGTH (IN INCHES)

SHEET 2 OF 2

| | | | |
|-----------|----------|---|----------|
| PROJECT | | | |
| LOCATION | | | |
| ARCHITECT | | | |
| ENGINEER | | | REV. - |
| DWG. NO. | SLC07-RP | TITLE: BERNER MODEL: SLC07 AIR CURTAIN REPLACEMENT PARTS | |
| DATE | 25NOV14 | | |
| BY | S. Beil | BERNER INTERNATIONAL CORP. NEW CASTLE, PA. | |
| REPLACES | - | | |
| BY | - | | |