



New **STAR-MAX[®] MANUAL GAS GRIDDLES**
Models 615MF, 624MF, 636MF & 648MF

Features/Benefits:

- ★ *NEW* highly polished 1" thick polished steel plate for superior heat distribution, fast recovery and energy efficient operation.
- ★ Manual control with standing pilot for the budget-minded operator and experienced chefs who prefer the "feel" of a manual control.
- ★ Available in 15", 24", 36" and 48" widths to meet your space and volume requirements.
- ★ *NEW* longer lasting, heavy-duty metal knobs.
- ★ Double wall construction and enclosed bottom helps reduce heat loss.
- ★ Cool-to-the-touch stainless steel bull nose front provides knob protection and comfortable work zone.
- ★ *NEW* custom designed 28,300 BTU aluminized steel U-shaped burner every 12" of cooking surface provide even heat distribution.
- ★ Heavy-duty body construction with stainless steel front, bull nose and 4-1/2" high tapered splash guard.
- ★ Spatula wide 3-1/4" front grease trough and grease chute for easier cleaning.
- ★ Large 4-1/2 quart stainless steel grease drawer.
- ★ Gas convertible in the field with conversion kit supplied. Units are shipped Natural Gas.
- ★ Heavy-duty 4" adjustable legs to fit your countertop line-up requirements.



Model 648MF

Applications:

Star-Max® manual gas griddles are a perfect match for the budget minded operator. For breakfast, lunch or dinner, the Star-Max manual control griddles out-perform the competition.

Quality Construction:

Star-Max® manual gas griddles feature 1" thick polished steel griddle plate, 4-1/2" high wrap-around stainless steel splash guard and 3-1/4" wide front access grease trough with 4-1/2 quart grease drawer capacity. Includes a 28,300 BTU aluminized steel burner every 12" of width controlled by manual control valve with standing pilot light, 3/4" N.P.T. male gas connection with convertible pressure regulator, and 4" adjustable legs. These units are approved for installation within 6" of non-combustible surfaces. Griddles operate on Natural or Propane gas.

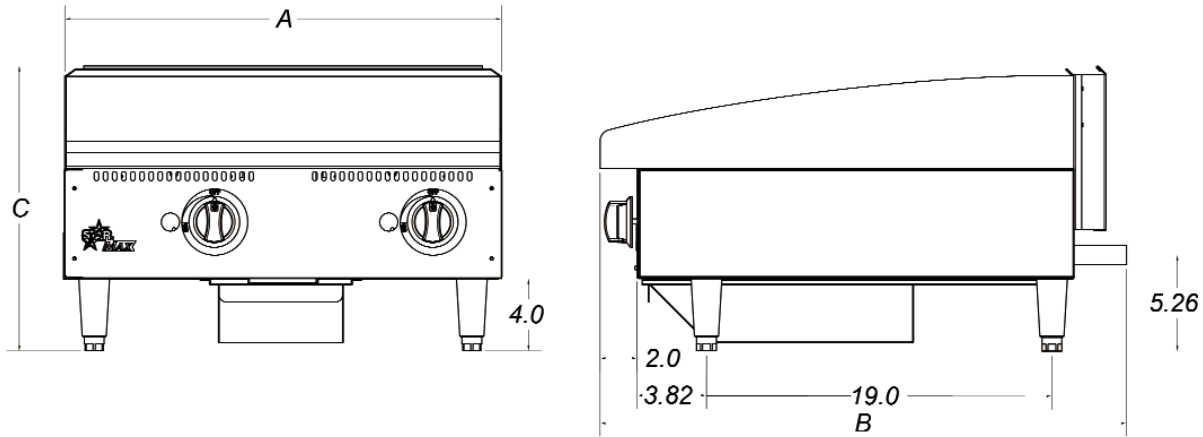
New **Warranty:**

Star-Max® manual gas griddles are covered by Star's **TWO YEAR** parts and labor warranty.





New **STAR-MAX® MANUAL GAS GRIDDLES**
Models 615MF, 624MF, 636MF & 648MF



Specifications

Model No.	Dimensions				Controls	BTU	Grid Area	Plate Thickness Inches (cm)	Approximate Weight	
	(A) Width Inches (cm)	(B) Depth Inches (cm)	(C) Height Inches (cm)	(D) Leg Width Inches (cm)					Installed lbs. (kg)	Shipping lbs. (kg)
615MF	15 (38.1)	29 (73.7)	15-1/2 (39.4)	11-3/4 (29.8)	1	28,300	304 sq. in. 1961.4 sq cm	1 (2.5)	126 (57.2)	90 (40.8)
624MF	24 (61.0)	29 (73.7)	15-1/2 (39.4)	20-3/4 (52.7)	2	56,600	498 sq. in. 3213.4 sq cm	1 (2.5)	165 (74.8)	175 (79.4)
636MF	36 (91.4)	29 (73.7)	15-1/2 (39.4)	32-3/4 (83.2)	3	84,900	747 sq. in. 4819.6 sq cm	1 (2.5)	247 (112.0)	262 (118.8)
648MF	48 (121.9)	29 (73.7)	15-1/2 (39.4)	44-3/4 (113.7)	4	113,200	996 sq. in. 6426.2 sq cm	1 (2.5)	330 (144.7)	350 (158.8)

Typical Specifications

Gas griddles are constructed with a stainless steel front panel and double wall aluminized steel side panels. Griddle plate is 1" (2.54 cm) thick steel plate with 4-1/2" (11.4 cm) high tapered wrap-around stainless steel splash guard. Unit has 3-1/4" (8.3 cm) wide front grease trough with grease chute and a 4-1/2 qt. (4.257 L) stainless steel grease drawer. Unit is equipped with a 28,300 BTU aluminized steel burner for every 12" (30.5 cm) of width and is controlled by a manual control valve. Valve knobs are protected by a stainless steel bull nose front. A standing pilot is provided. Griddles are supplied with 4" (10.2 cm) high die cast nickel-plated legs have a 1-3/8" (3.5 cm) adjustment. Gas connection is a 3/4" (1.3 cm) N.P.T. male with a convertible pressure regulator. Units are approved for installation within 6" (15.2 cm) of combustible and non-combustible surfaces and are UL Gas Certified and UL Sanitation listed. Printed in the U.S.A.

Due to periodic changes in designs, methods, procedures, policies and regulations, the specifications contained in this sheet are subject to change without notice. While Star Manufacturing exercises good faith efforts to provide information that is accurate, we are not responsible for errors or omissions in information provided or conclusions reached as a result of using the specifications. By using the information provided, the user assumes all risks in connection with such use.