

MICROWAVE OVENS - HEAVY DUTY



TMW-1800HD / TMW-1200HD

≡ FEATURES & BENEFITS ≡

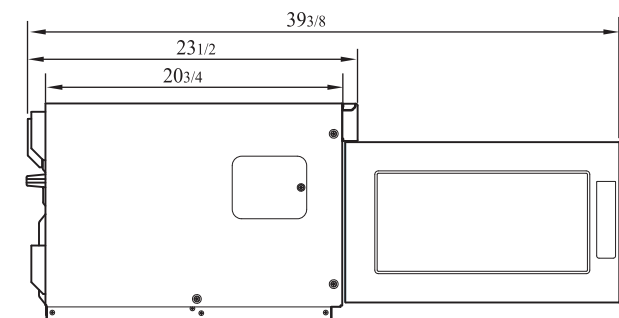
- COMMERCIAL STYLING & DURABILITY (1800W., 1200W.) FOR FAST HEATING AND COOKING
- 14 TOUCH CONTROL PADS & EASY-TO-READ VFD DISPLAY PROGRAM UP TO 200 MENU ITEMS FOR SIMPLE ONE-TOUCH COOKING
- DOUBLE QUANTITY PAD (X2) INCREASES A PRE-PROGRAMMED COOKING TIME FOR MULTIPLE SERVINGS OF FOODS
- 60 MIN COOKING TIMER & DEFROST FUNCTION
- 5 POWER LEVELS & 3 STAGES COOKING OPTION
- VARIABLE BEEP TONES (MUTE MODE AVAILABLE)
- START/20 SEC.+ PAD FOR SPEEDY COOKING AND ADDING REHEAT TIME BY 20S. INCREMENTS
- AUTO COOLING TO COOL DOWN THE OVEN AFTER USAGE
- AUTO DISPLAY OFF (15SEC/30SEC/1MIN/2MIN)
- CLEAN AND STURDY STAINLESS STEEL EXTERIOR AND INTERIOR
- HEAT RESISTANT ADVANCED CERAMIC TRAY INSIDE
- EASY-TO-CLEAN FLAT BOTTOM
- TEMPERED GLASS DOOR WITH INTERIOR LIGHT ALLOWS MONITORING OF FOOD
- EASY GRIP AND RECESSED DOOR HANDLE
- CLEAN AIR FILTER WITH CONVENIENT CLEAN FILTER REMINDER (7/30/90 DAYS)
- 2 SETS STACKABLE TO SAVE THE COUNTER SPACE
- AUTOMATICALLY SAVES THE SERVICE INFORMATION SUCH AS USAGE HOURS, DOOR OPENING & CLOSING TIMES, ETC.
- IDEAL FOR QUICK SERVICE AND FAMILY-STYLE RESTAURANTS, FAST CASUAL DINING

TMW MODELS SPECIFICATIONS

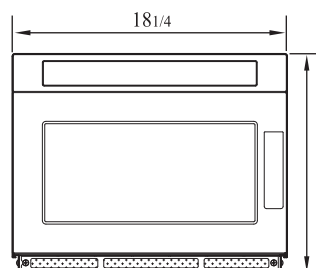
Model		TMW-1200HD	TMW-1800HD
Cavity Volume		0.9 cu.ft.	0.9 cu.ft.
Power Output		1,200W	1,800W
Voltage		115/60/1	115/208~230/60/1
AMP		18	15
Plug-In		NEMA 5-20P	NEMA 6-20P
Dimensions(L x D x H)	Cavity	14 ⁵ / ₈ x 14 ⁵ / ₈ x 7 ⁷ / ₈	14 ⁵ / ₈ x 14 ⁵ / ₈ x 7 ⁷ / ₈
	Unit	18 ¹ / ₄ x 23 ¹ / ₂ x 14 ¹ / ₂	18 ¹ / ₄ x 23 ¹ / ₂ x 14 ¹ / ₂
Net Weight		64 lbs.	69 lbs.
Gross Weight		69 lbs.	75 lbs.

(unit : inch)

PLAN VIEW



SIDE VIEW



FRONT VIEW

Design and specifications subject to change without notice.
Actual shipping weight may differ due to extra packing materials for product protection.