

ITEM #: _____ QTY: _____
 MODEL #: _____
 PROJECT NAME: _____

021918

3601 S. Banker St. Effingham, IL 62401 • P.O. BOX 609 • Ph: (888) 431-2667 • Fax: (800) 433-2667

"TUSI" TUSCAN ISLAND

FEATURES:

- HARD ROCK MAPLE EDGE GRAIN WITH VARNIQUE FINISH
- PAINTED BASE WITH SAND-THROUGH FINISH
- UTENSIL DRAWER ON BOTH ENDS
- CONTOURED SLATTED SHELF AND LARGE ROPE LEGS
- SEE BASE COLOR SPEC SHEET FOR COLOR OPTIONS

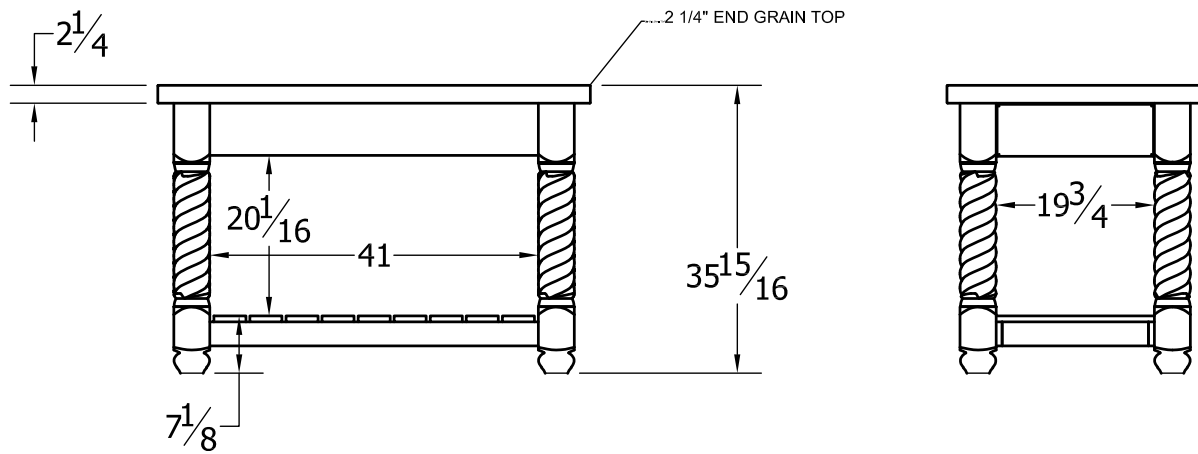
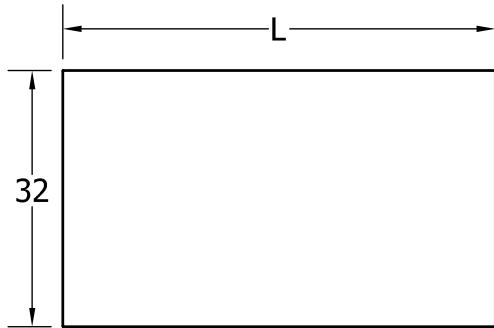


TUSI5432-BK

TUSCAN ISLAND

MODEL #	QTY
TUSI5432	
TUSI7232	

DETAILED SPECIFICATIONS



TUSCAN ISLAND

MODEL #	SIZE	HEIGHT	WEIGHT (LBS)
TUSI5432	54" X 32" X 1-3/4"	36"	238
TUSI7232	72" X 32" X 1-3/4"	36"	285

SOME UNITS SHIP UNASSEMBLED FOR REDUCED SHIPPING COST. ALL DIMENSIONS ARE TYPICAL. TOLERANCE +/- .500"
 John Boos & Co. is constantly engaged in a program of improving products and therefore reserves the right to change specifications without prior notice.



Boos
lock

AQ AutoQuotes

3601 S. Banker St. • Effingham, IL 62401 • PO BOX 609 • quotes@johnboos.com

www.johnboos.com

081617

153